

# Shutterstone

- Expansive range of colours
- Suitable for both floor & wall applications
- Frost-proof



GRESTEC.CO.UK / 0345 130 2241



LAP9574  
LRV: 60



LAP9575  
LRV: 43



LAP9576  
LRV: 23



LAP9577  
LRV: 11

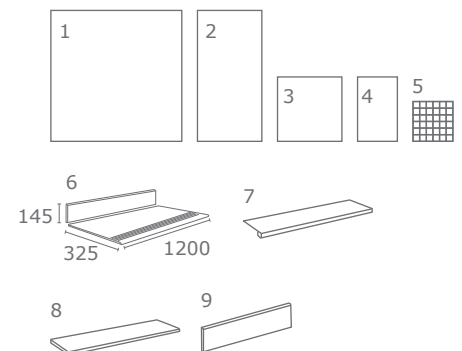


LAP9570  
LRV: 54



LAP9571  
LRV: 34

	SIZE (MM)	THICKNESS	FINISHES		
1	1200 x 1200	10.5MM	NAT (R10)	-	LAP
2	600 x 1200	10.5MM	NAT (R10)	-	LAP
3	600 x 600	10.5MM	NAT (R10)	STR (R11/B)	LAP
4	300 x 600	10.5MM	NAT (R10)	STR (R11/B)	-
5	50x50 MOS 300 x300 MESH	10.5MM	NAT (R10)	-	-
6	STEPTREAD KIT 325x1200	10.5MM	NAT	-	-
7	STEPTREAD G 325x1200	10.5MM	NAT	-	-
8	STAIPTREAD CORNER 325x1200	10.5MM	NAT	-	-
9	SKIRTING 95x600	10.5MM	NAT	-	-



LRV VALUES VARY BATCH TO BATCH PLEASE CONTACT FOR ADVICE. PRINT COLOURS MAY VARY, PLEASE REQUEST SAMPLES.

FIND US ON:    



SHUTTERSTONE LAP9570



SHUTTERSTONE LAP9570



SHUTTERSTONE LAP9574



SHUTTERSTONE / LAP9576

LRV VALUES VARY BATCH TO BATCH PLEASE CONTACT FOR ADVICE. PRINT COLOURS MAY VARY, PLEASE REQUEST SAMPLES.

FIND US ON:    

## TECHNICAL SPECIFICATION

TECHNICAL CHARACTERISTIC	STANDARD	AVERAGE VALUES
Water absorption	ISO 10545-3	0.05%
Sizes	ISO 10545-2	Conforms
Bending strength	ISO 10545-4	50N/mm <sup>2</sup>
Deep abrasion resistance	ISO 10545-6	140mm <sup>3</sup>
Coefficient of linear thermal expansion	ISO 10545-8	7x10 <sup>-6</sup> oC <sup>-1</sup>
Resistance to thermal shock	ISO 10545-9	Resistant
Frost resistance	ISO 10545-12	Resistant
Resistance to chemical products	ISO 10545-13	UB
Stain resistance	ISO 10545-14	Class 3
Resistance of colour to light	DIN 51094	Conforms
Slip resistance (Shod)	DIN 51130	NAT - R10 STR: R11
Slip resistance (Barefoot)	DIN 51097	STR- B

## CLEANING + MAINTENANCE ADVICE

### INITIAL WASHING

The initial washing is fundamental for good treatment results. The initial washing is aimed at removing any laying residues and building grime.

Product	Deterdek (1:5 diluted in water)
Coverage	Deterdek (5 l per 100m <sup>2</sup> )
Equipment	Single-disc professional floor cleaner, liquid vacuum cleaner and cloth
Procedure	<ul style="list-style-type: none"> <li>• After the floor is swept and soaked with water, spread the diluted Deterdek onto the floor.</li> <li>• Then scour with single-disc professional cleaner</li> <li>• Vacuum the residue, rinse the floor well and then mop with a liquid vacuum cleaner or a cloth.</li> </ul>

### ROUTINE MAINTENANCE

The aim of the routine maintenance is to remove dirt and scuff marks. Must be carried out regularly.

Product	Filacleaner (Diluted 1:50 in warm water)
Equipment	Cloth or mop (For large areas the use of a cleaning machine is recommended)
Procedure	<ul style="list-style-type: none"> <li>• Dilute Filacleaner in warm water</li> <li>• Wipe a cloth wet with the solution over the floor</li> <li>• Rinse the floor in case of concentrated solutions of Filacleaner</li> </ul>

### SPECIAL MAINTENANCE

Special maintenance is carried out in case of very stubborn dirt, when the routine maintenance is not enough to restore the original look of the surface.

Product	Fila PS/87 (1:5 diluted in water)
Coverage	5 l per 100m <sup>2</sup> (when diluted 1:5)
Procedure	<ul style="list-style-type: none"> <li>• Dilute Fila PS/87 in 1:5 in water</li> <li>• Apply to the floor previously soaked with water and leave for a few minutes</li> <li>• Scrub with a single disc professional cleaner</li> <li>• Mop up residue with a liquid vacuum cleaner or cloth</li> </ul>